


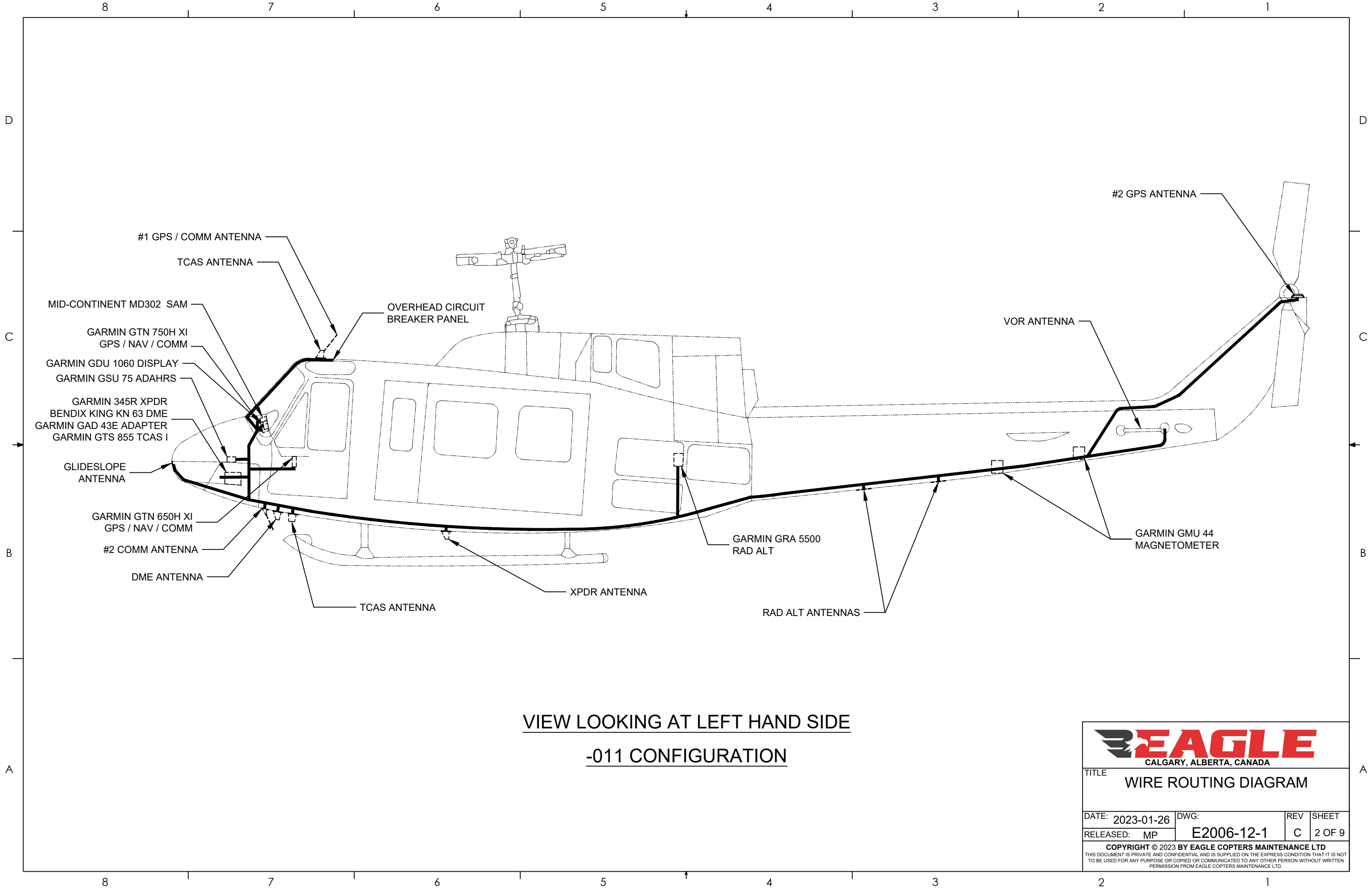
REV	DESCRIPTION	INITIAL	YYYY-MM-DD
A	NEW ISSUE	EB	2021-06-15
B	ADDED DETAILED EQUIPMENT LOCATION	KB	2021-10-22
C	ADDED CONFIGURATION -013	NF	2023-01-27

—————	NEW WIRE
—————	EXISTING WIRE
- - - - -	AIRFRAME
- - - - -	UNIT

NOTES:

- ROUTE ALL WIRES AND CABLES WITH EXISTING WIRE ROUTES WHERE POSSIBLE AND CLAMP IN ACCORDANCE WITH THE LATEST REVISION OF BHT-ELEC-SPM CHAPTER 6.
- IT IS PERMISSIBLE TO INCREASE / DECREASE EXISTING CLAMP SIZE FOR A SNUG FIT IF REQUIRED.
- WIRES MUST BE ROUTED ABOVE COMBUSTIBLE FLUID OR OXYGEN LINES AND EQUIPMENT WITH A MINIMUM OF 6 INCHES OF SEPARATION (MIN 2 INCHES IF WIRES IN CONDUIT)
- IT IS PERMISSIBLE TO MAKE MINOR DEVIATION IN HARNESS ROUTING TO ACCOMMODATE FOR VARIATIONS IN AIRCRAFT.
- ALL LOCATIONS ARE APPROXIMATE. FOR DETAILED INSTALLATION INFORMATION REFERENCE ICA-D212-725 AND BHT-212-MM.

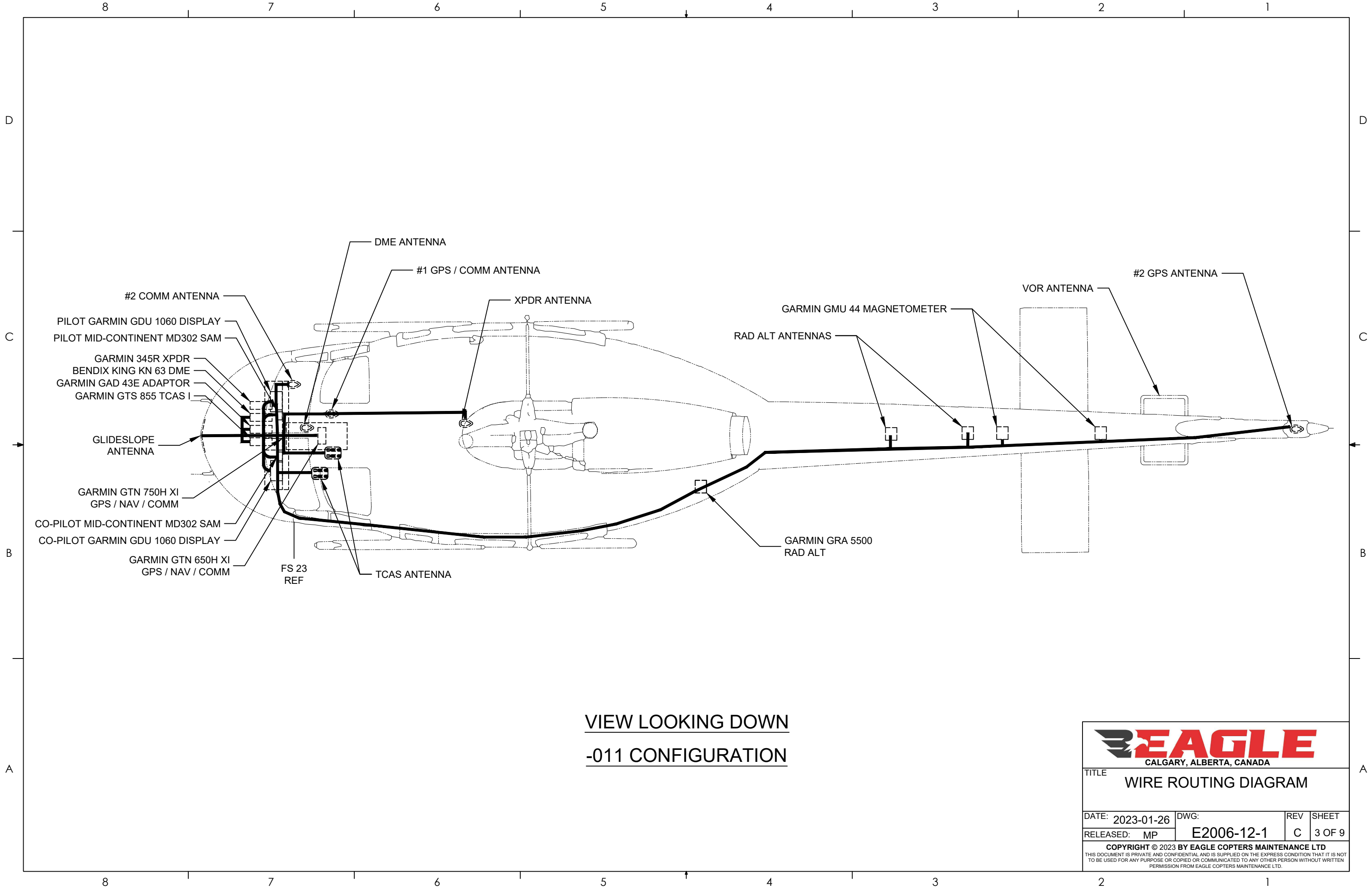
DESIGN	N/A	 <p>EAGLE CALGARY, ALBERTA, CANADA</p>
DRAWN	NF	
CHECKED		
MFG. APPR.	N/A	
DM RLSED.		
DE RLSED.	N/A	TITLE: WIRE ROUTING DIAGRAM
SCALE:	NTS	
DATE:	2023-01-26	NO: E2006-12-1
<small>COPYRIGHT © 2023 BY EAGLE COPTERS MAINTENANCE LTD THIS DOCUMENT IS PRIVATE AND CONFIDENTIAL AND IS SUPPLIED ON THE EXPRESS CONDITION THAT IT IS NOT TO BE USED FOR ANY PURPOSE OR COPIED OR COMMUNICATED TO ANY OTHER PERSON WITHOUT WRITTEN PERMISSION FROM EAGLE COPTERS MAINTENANCE LTD.</small>		REV: C
		SHEET 1 OF 9



VIEW LOOKING AT LEFT HAND SIDE
-011 CONFIGURATION



TITLE			
WIRE ROUTING DIAGRAM			
DATE: 2023-01-26	DWG:	REV	SHEET
RELEASED: MP	E2006-12-1	C	2 OF 9
COPYRIGHT © 2023 BY EAGLE COPTERS MAINTENANCE LTD THIS DOCUMENT IS PRIVATE AND CONFIDENTIAL AND IS SUPPLIED ON THE EXPRESS CONDITION THAT IT IS NOT TO BE USED FOR ANY PURPOSE OR COPIED OR COMMUNICATED TO ANY OTHER PERSON WITHOUT WRITTEN PERMISSION FROM EAGLE COPTERS MAINTENANCE LTD.			

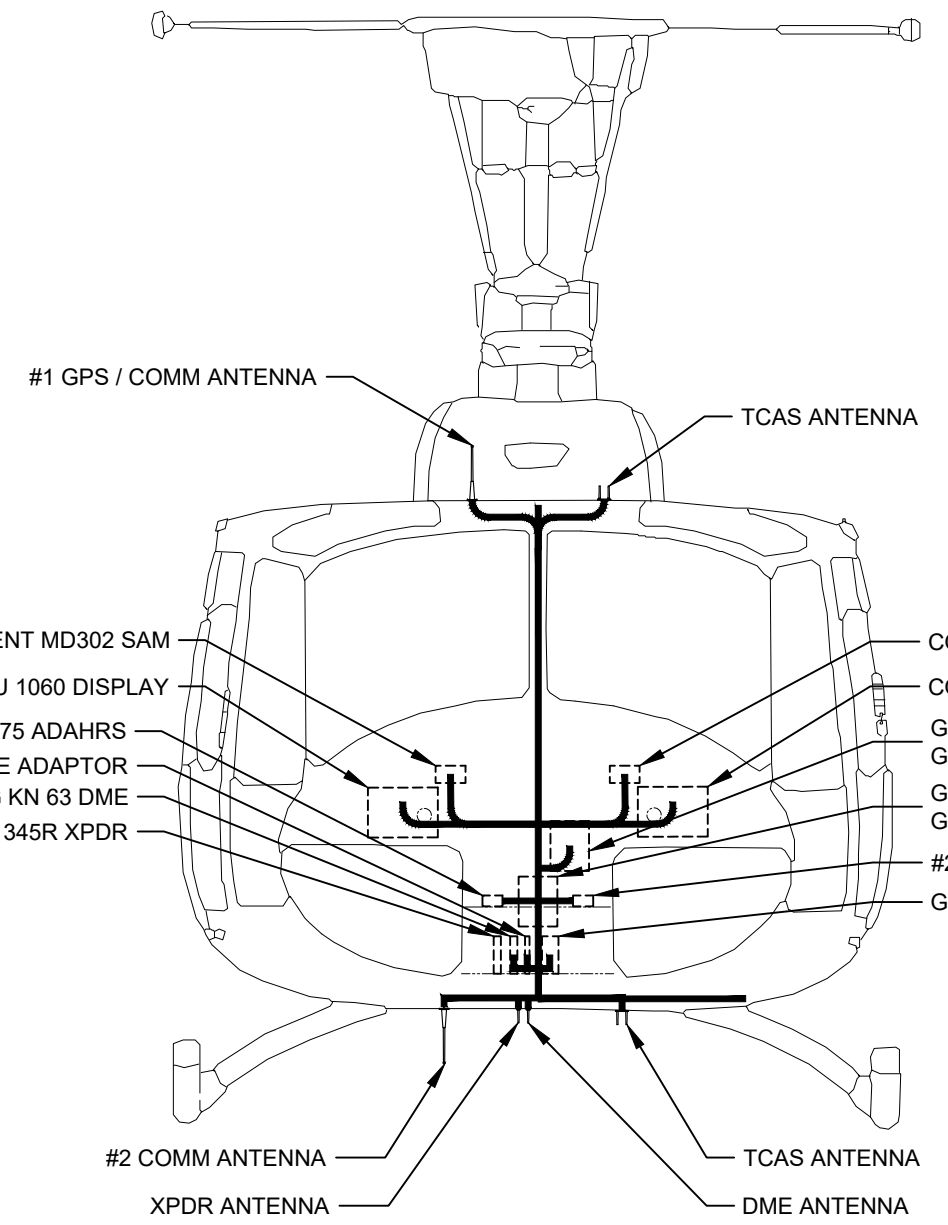


VIEW LOOKING DOWN
-011 CONFIGURATION

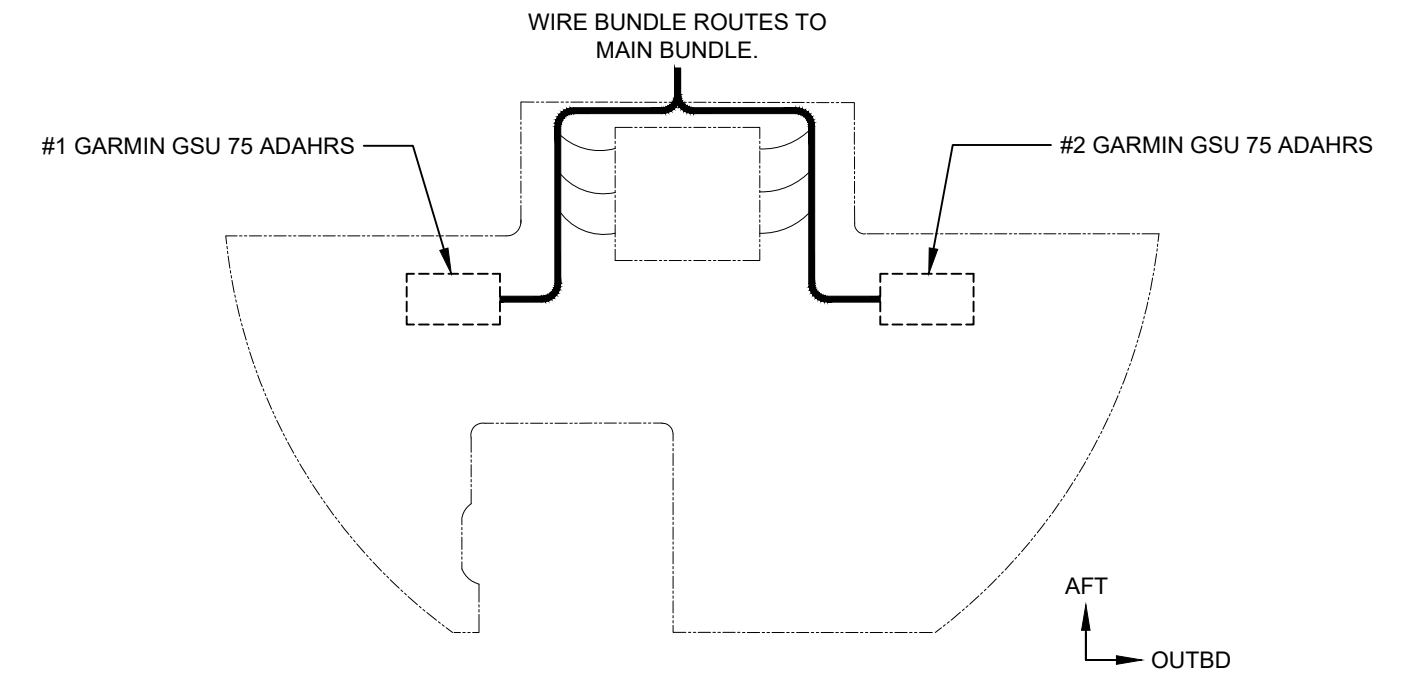
 CALGARY, ALBERTA, CANADA			
TITLE WIRE ROUTING DIAGRAM			
DATE: 2023-01-26	DWG:	REV	SHEET
RELEASED: MP	E2006-12-1	C	3 OF 9
COPYRIGHT © 2023 BY EAGLE COPTERS MAINTENANCE LTD THIS DOCUMENT IS PRIVATE AND CONFIDENTIAL AND IS SUPPLIED ON THE EXPRESS CONDITION THAT IT IS NOT TO BE USED FOR ANY PURPOSE OR COPIED OR COMMUNICATED TO ANY OTHER PERSON WITHOUT WRITTEN PERMISSION FROM EAGLE COPTERS MAINTENANCE LTD.			

8 7 6 5 4 3 2 1

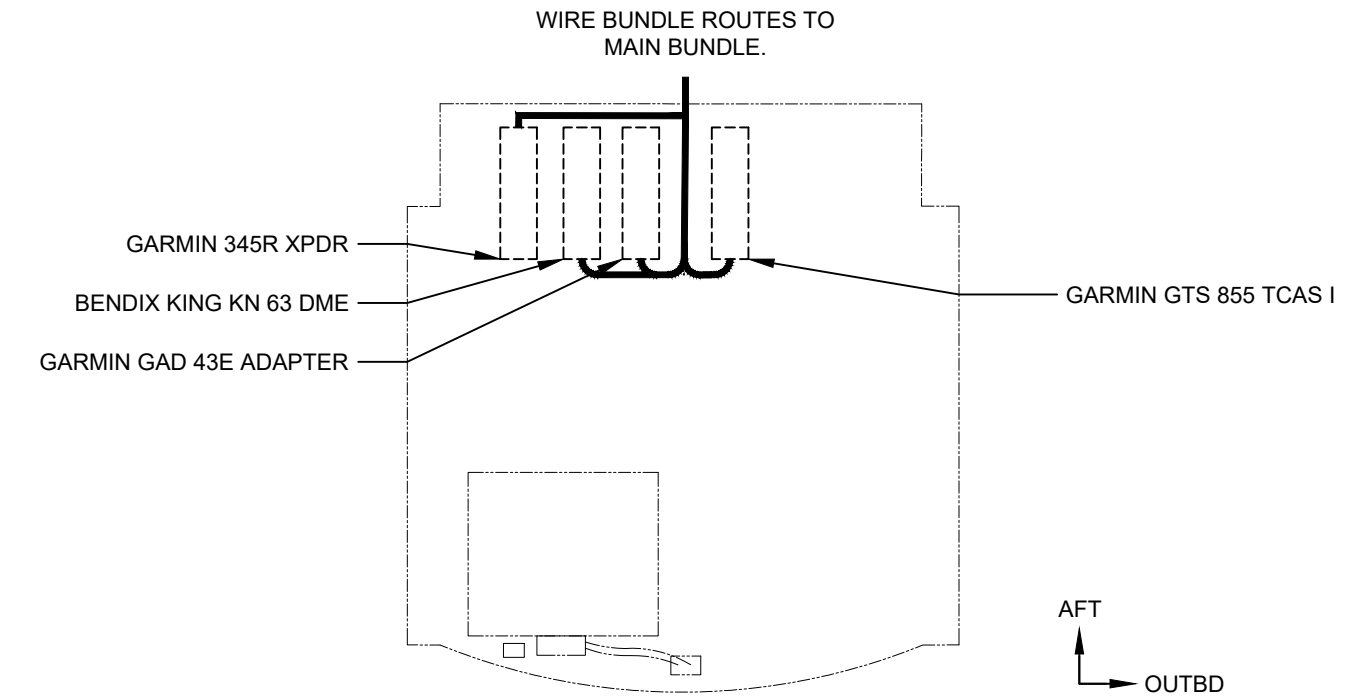
D
C
B
A



VIEW FROM FRONT LOOKING AFT



VIEW OF UPPER SHELF (LOOKING DOWN)



VIEW OF LOWER SHELF (LOOKING DOWN)

-011 CONFIGURATION

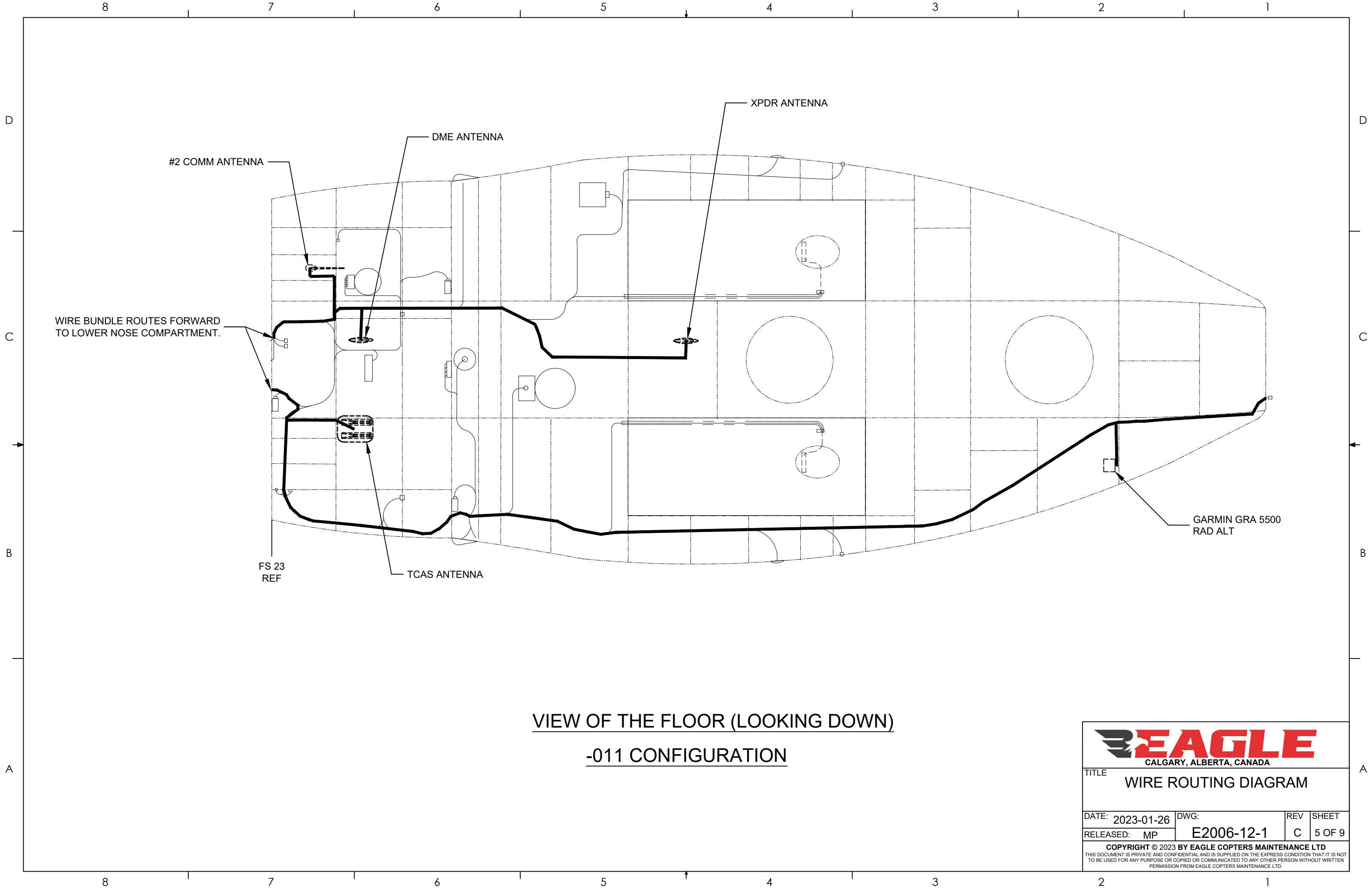


TITLE
WIRE ROUTING DIAGRAM

DATE: 2023-01-26	DWG: E2006-12-1	REV: C	SHEET: 4 OF 9
RELEASED: MP			

COPYRIGHT © 2023 BY EAGLE COPTERS MAINTENANCE LTD
THIS DOCUMENT IS PRIVATE AND CONFIDENTIAL AND IS SUPPLIED ON THE EXPRESS CONDITION THAT IT IS NOT TO BE USED FOR ANY PURPOSE OR COPIED OR COMMUNICATED TO ANY OTHER PERSON WITHOUT WRITTEN PERMISSION FROM EAGLE COPTERS MAINTENANCE LTD.

8 7 6 5 4 3 2 1



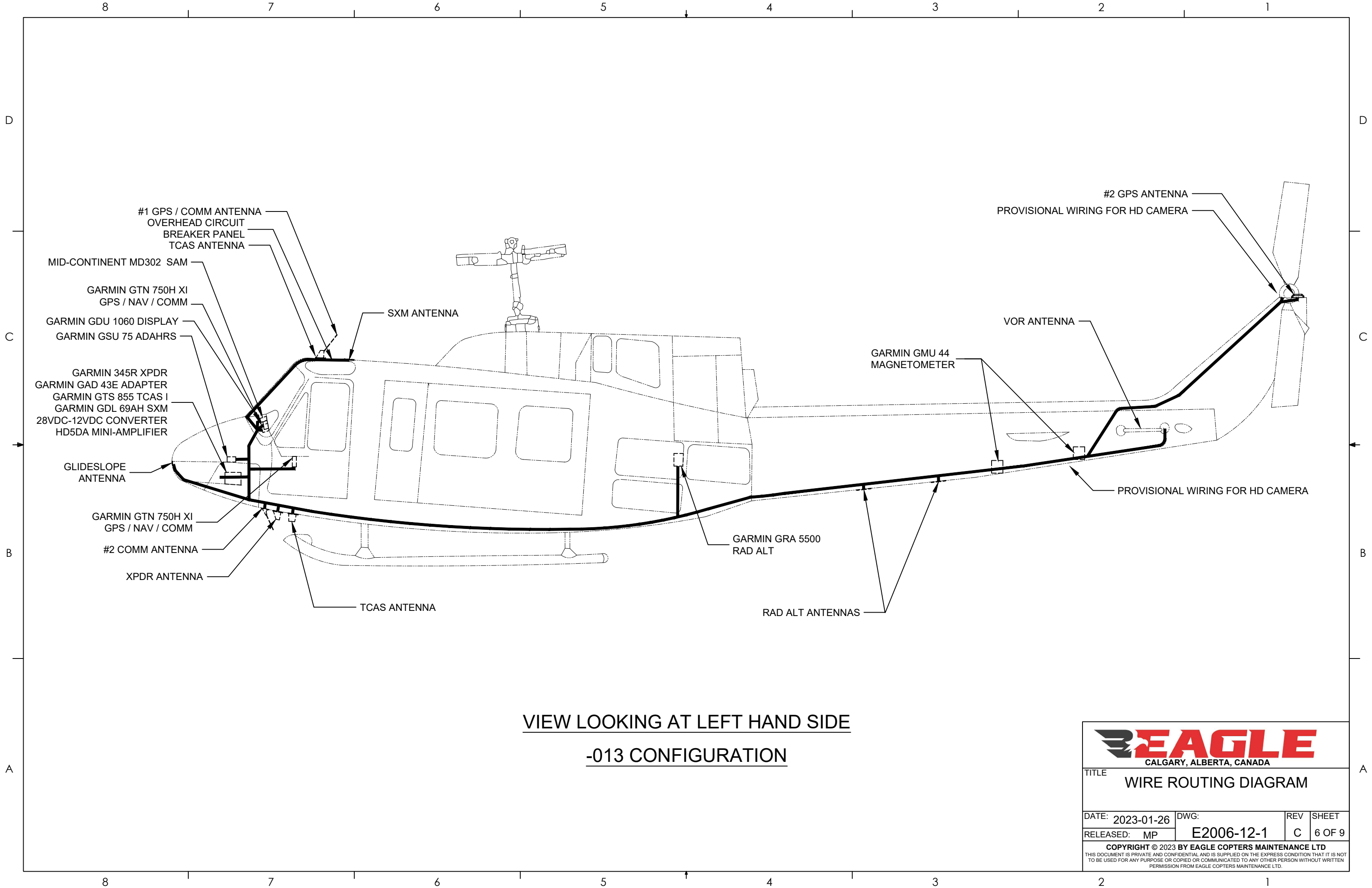
VIEW OF THE FLOOR (LOOKING DOWN)
-011 CONFIGURATION



TITLE **WIRE ROUTING DIAGRAM**

DATE: 2023-01-26	DWG: E2006-12-1	REV: C	SHEET: 5 OF 9
RELEASED: MP			

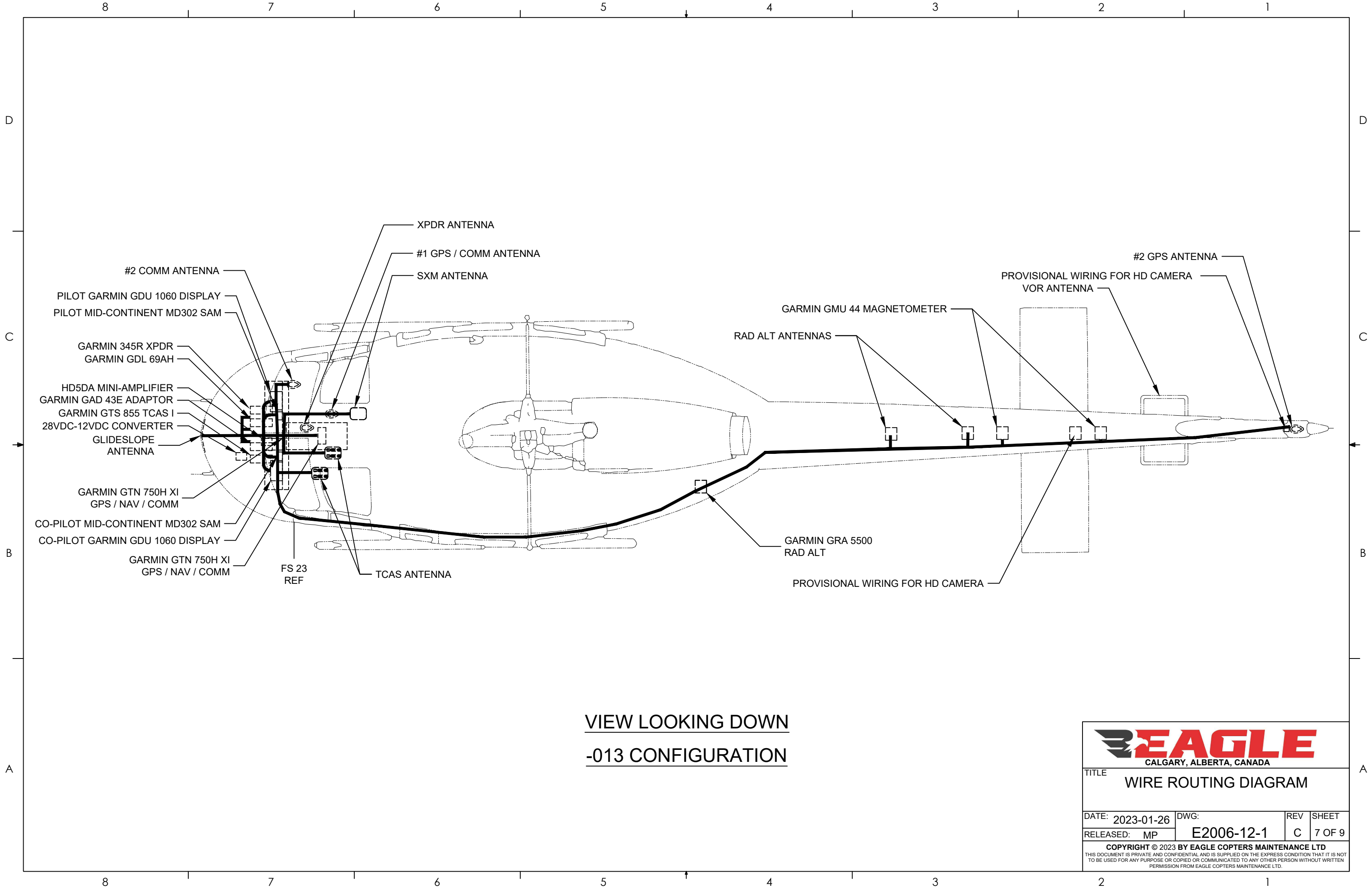
COPYRIGHT © 2023 BY EAGLE COPTERS MAINTENANCE LTD
 THIS DOCUMENT IS PRIVATE AND CONFIDENTIAL AND IS SUPPLIED ON THE EXPRESS CONDITION THAT IT IS NOT TO BE USED FOR ANY PURPOSE OR COPIED OR COMMUNICATED TO ANY OTHER PERSON WITHOUT WRITTEN PERMISSION FROM EAGLE COPTERS MAINTENANCE LTD.



VIEW LOOKING AT LEFT HAND SIDE
-013 CONFIGURATION



TITLE			
WIRE ROUTING DIAGRAM			
DATE: 2023-01-26	DWG:	REV	SHEET
RELEASED: MP	E2006-12-1	C	6 OF 9
<small>COPYRIGHT © 2023 BY EAGLE COPTERS MAINTENANCE LTD THIS DOCUMENT IS PRIVATE AND CONFIDENTIAL AND IS SUPPLIED ON THE EXPRESS CONDITION THAT IT IS NOT TO BE USED FOR ANY PURPOSE OR COPIED OR COMMUNICATED TO ANY OTHER PERSON WITHOUT WRITTEN PERMISSION FROM EAGLE COPTERS MAINTENANCE LTD.</small>			

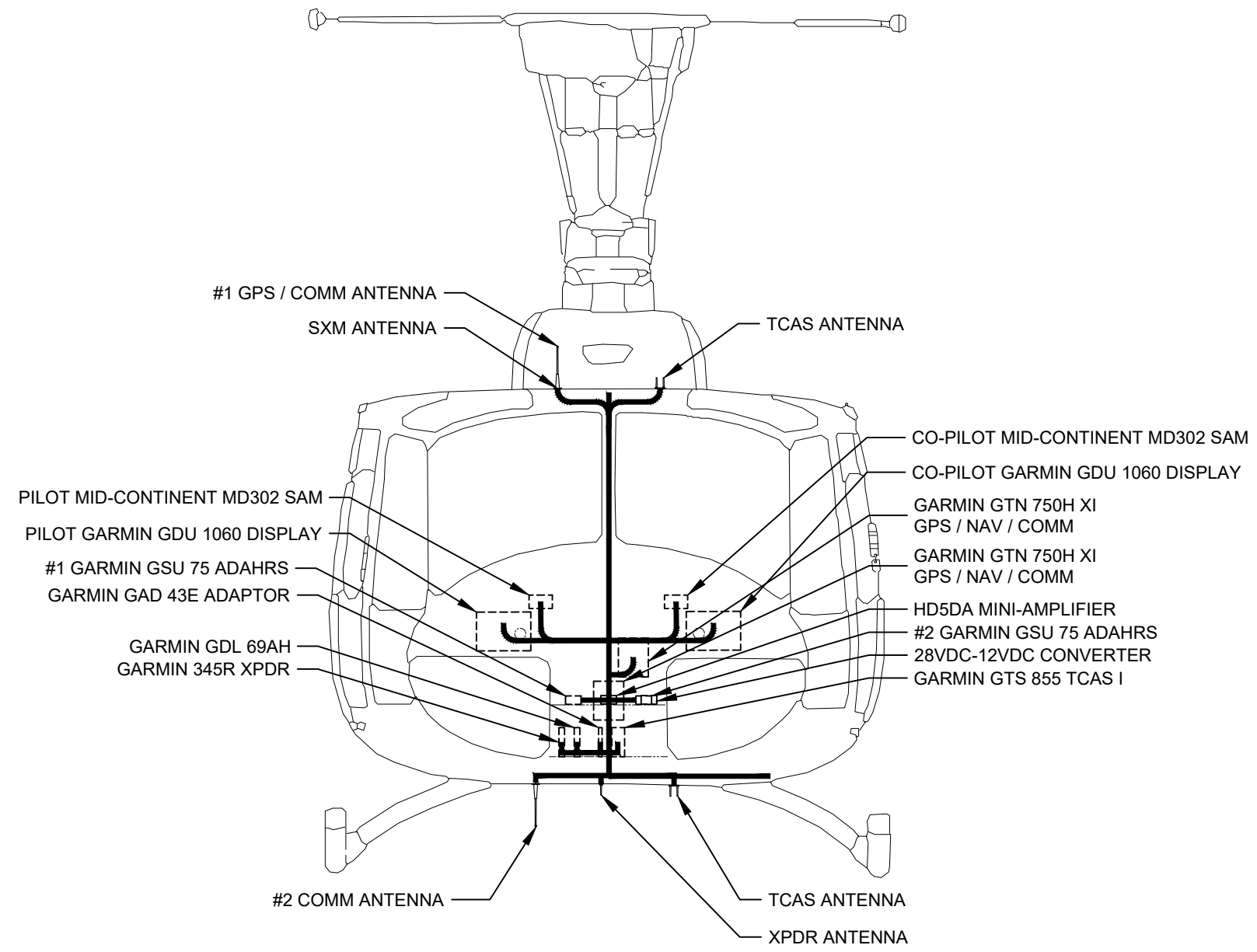


VIEW LOOKING DOWN
-013 CONFIGURATION

EAGLE CALGARY, ALBERTA, CANADA			
TITLE WIRE ROUTING DIAGRAM			
DATE: 2023-01-26	DWG:	REV	SHEET
RELEASED: MP	E2006-12-1	C	7 OF 9
COPYRIGHT © 2023 BY EAGLE COPTERS MAINTENANCE LTD THIS DOCUMENT IS PRIVATE AND CONFIDENTIAL AND IS SUPPLIED ON THE EXPRESS CONDITION THAT IT IS NOT TO BE USED FOR ANY PURPOSE OR COPIED OR COMMUNICATED TO ANY OTHER PERSON WITHOUT WRITTEN PERMISSION FROM EAGLE COPTERS MAINTENANCE LTD.			

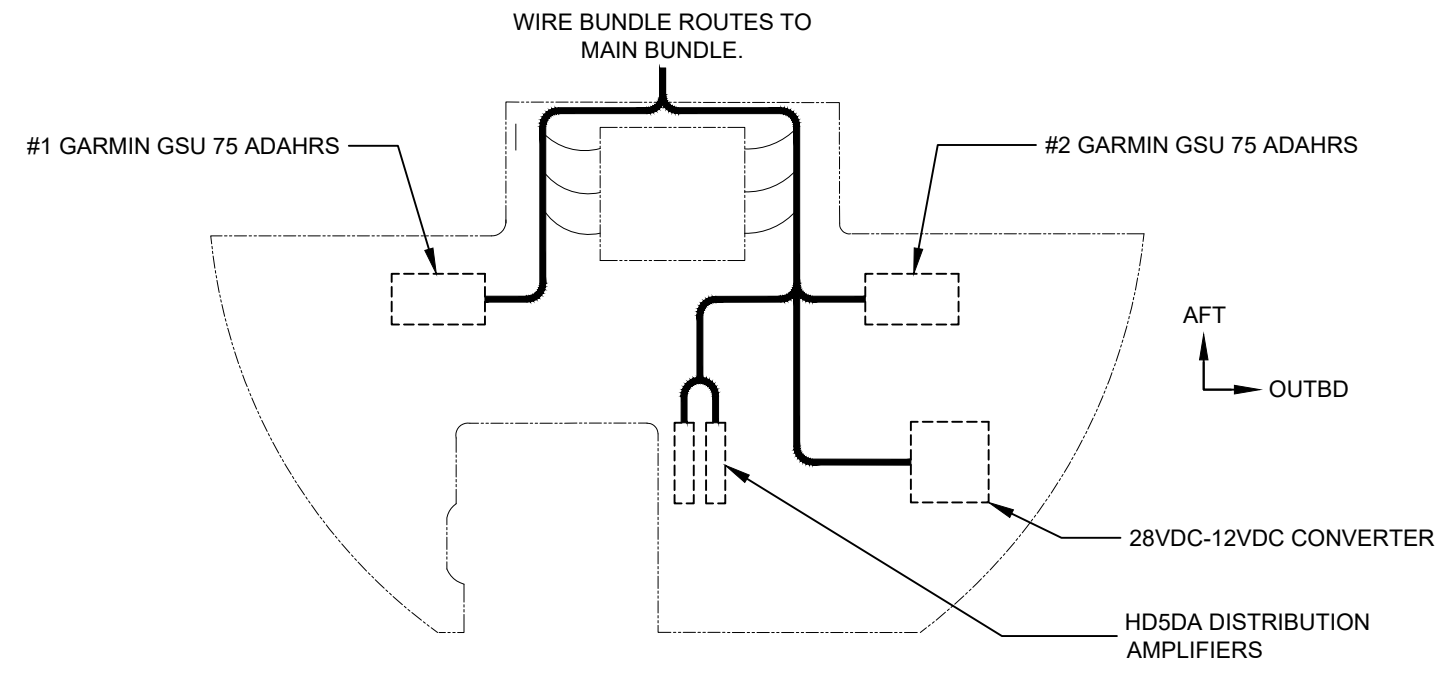
8 7 6 5 4 3 2 1

D
C
B
A

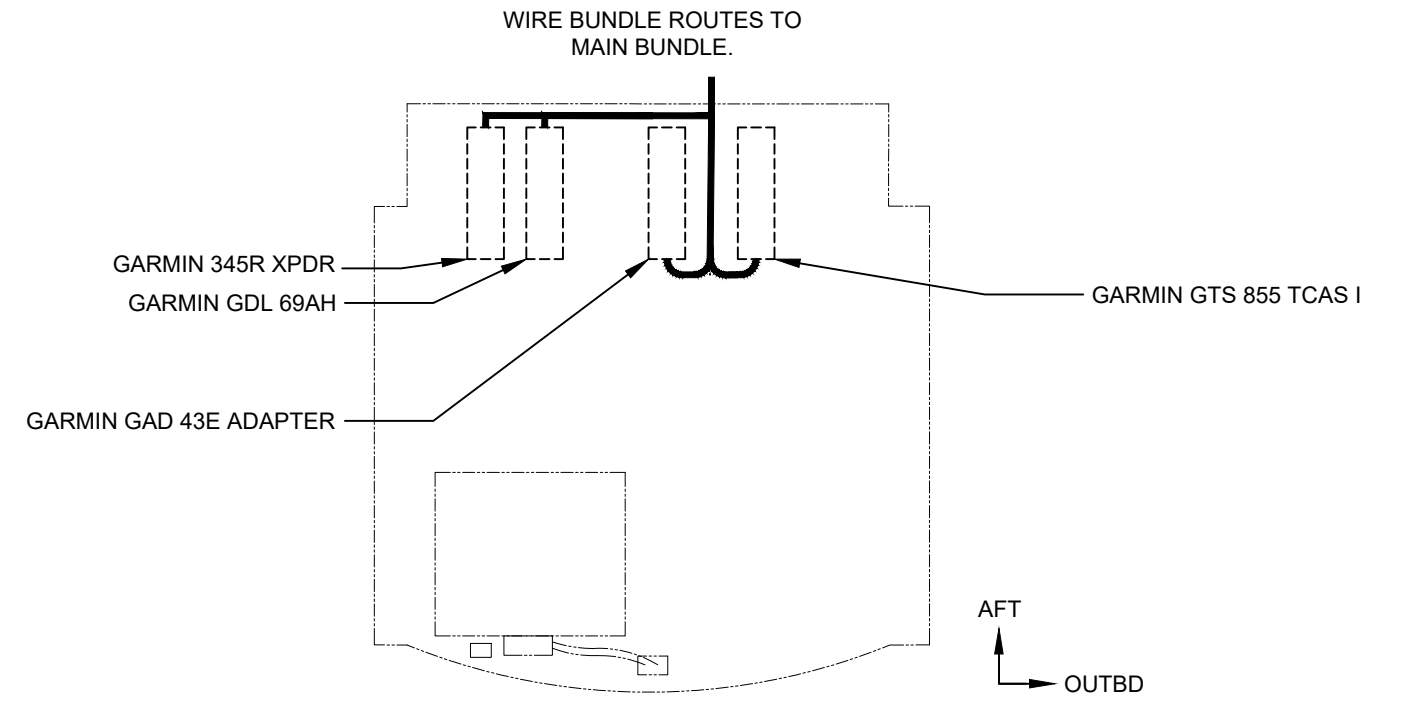


VIEW FROM FRONT LOOKING AFT

-013 CONFIGURATION



VIEW OF UPPER SHELF (LOOKING DOWN)



VIEW OF LOWER SHELF (LOOKING DOWN)

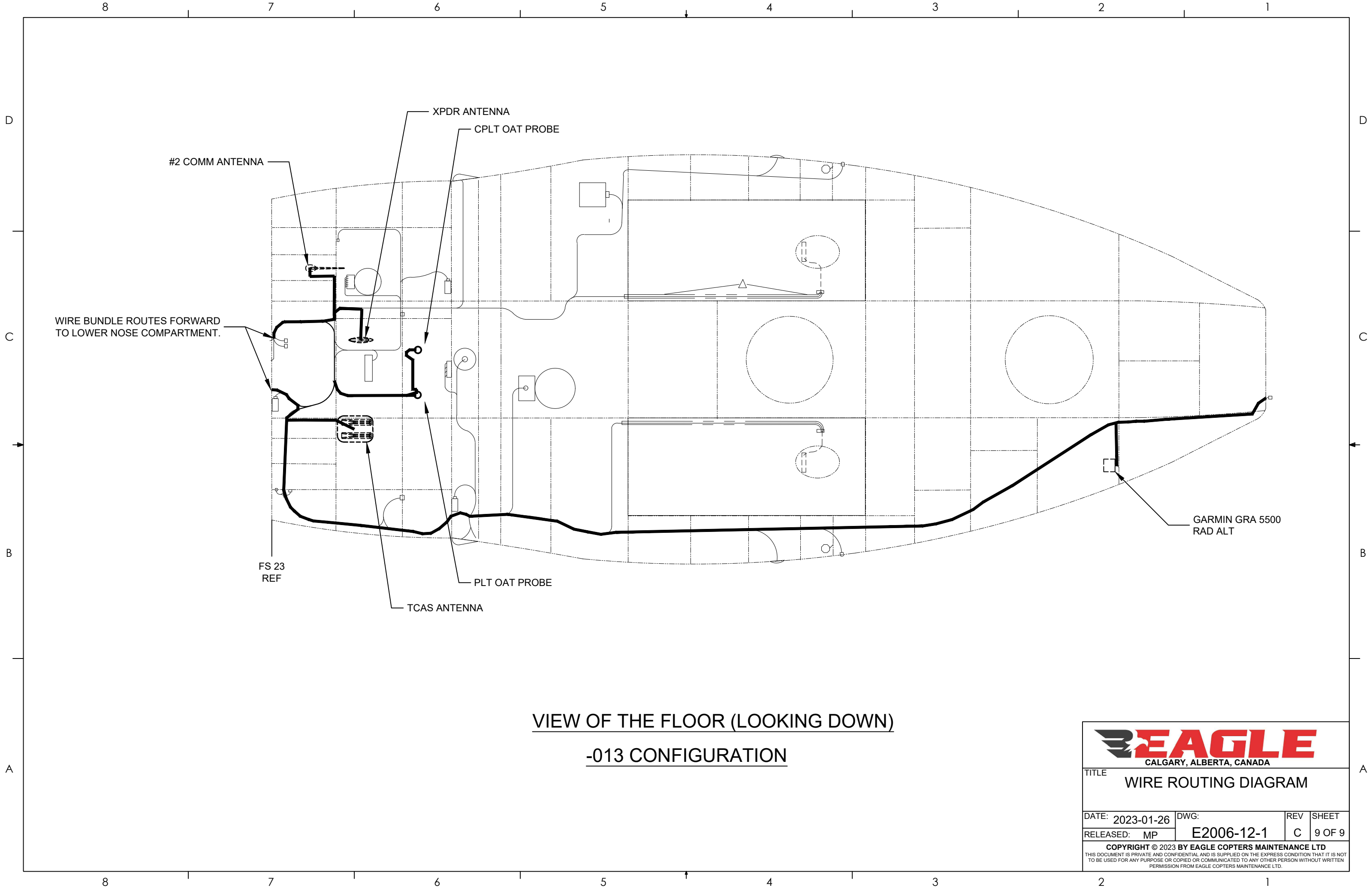
EAGLE
CALGARY, ALBERTA, CANADA

TITLE
WIRE ROUTING DIAGRAM

DATE: 2023-01-26	DWG:	REV	SHEET
RELEASED: MP	E2006-12-1	C	8 OF 9

COPYRIGHT © 2023 BY EAGLE COPTERS MAINTENANCE LTD
THIS DOCUMENT IS PRIVATE AND CONFIDENTIAL AND IS SUPPLIED ON THE EXPRESS CONDITION THAT IT IS NOT TO BE USED FOR ANY PURPOSE OR COPIED OR COMMUNICATED TO ANY OTHER PERSON WITHOUT WRITTEN PERMISSION FROM EAGLE COPTERS MAINTENANCE LTD.

8 7 6 5 4 3 2 1



VIEW OF THE FLOOR (LOOKING DOWN)
-013 CONFIGURATION

 CALGARY, ALBERTA, CANADA			
TITLE			
WIRE ROUTING DIAGRAM			
DATE: 2023-01-26	DWG:	REV	SHEET
RELEASED: MP	E2006-12-1	C	9 OF 9
<small>COPYRIGHT © 2023 BY EAGLE COPTERS MAINTENANCE LTD THIS DOCUMENT IS PRIVATE AND CONFIDENTIAL AND IS SUPPLIED ON THE EXPRESS CONDITION THAT IT IS NOT TO BE USED FOR ANY PURPOSE OR COPIED OR COMMUNICATED TO ANY OTHER PERSON WITHOUT WRITTEN PERMISSION FROM EAGLE COPTERS MAINTENANCE LTD.</small>			